
Service Instructions

Syntron® Flow Switch

Models: FS-4 & FS-4 J.I.C.

INTRODUCTION

The light-duty Syntron® Model FS-4 and FS-4 J.I.C. Flow Switch detects and corrects the lack of bulk materials flow and can also control the depth of small parts flow in parts handling systems.

INSTALLATION

The FS-4 Flow Switch must be installed so the motion of the paddle is in alignment with the movement of the material or parts being handled.



CAUTION: Do not relocate the shaft within the limit switch. If necessary, relocate the paddle by moving the paddle on the shaft or reposition the switch on its mounting arm.

After the proper operating position is determined, secure the assembly to its support using two 5/16" cap screws in the base of the column.

Both normally open and normally closed contacts are available.

The flat surface of the shaft and the plunger must be in the correct position for proper operation.



WARNING: Before performing any maintenance work, the electrical supply must be disconnected.

Remove the switch cover and check the location of the flat surface of the shaft in relation to the switch plunger. Without parts or material and the paddle hanging at its lowest position, the plunger should be out and adjacent to the flat area of the shaft. This will cause the switch to operate.

The profile of the paddle may be altered to suit the application.



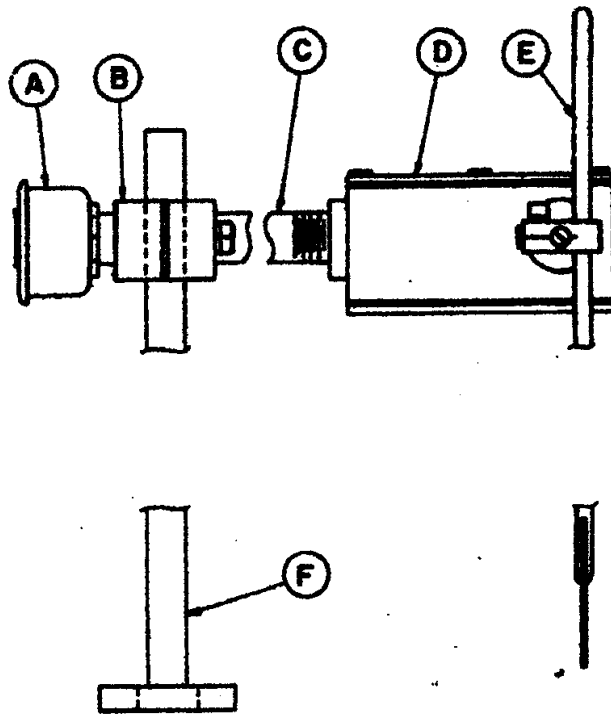
WARNING: For operator protection. be sure the equipment is properly grounded.

Insert lead wires into switch housing and make necessary connections. Replace the switch cover. Connect switch leads in series with the equipment to be controlled.

MAINTENANCE

The models FS-4 and FS-4 J.I.C. Flow Switches are virtually maintenance-free. Lubrication is not required.

The paddle must be kept clean and free to rotate.



**PARTS LIST – FLOW SWITCH
MODELS: FS-4 & FS-4 J.I.C.**

<u>Item</u>	<u>Description</u>	<u>Quantity</u>	<u>Part No.</u>
A	▲ Utility Box	1	0038X248
	▲ Utility Box Cover	1	A-194164-2
	◇ Junction Box	1	B-194462-A
	◇ Gasket Assembly	1	0145X023
	■ Nameplate	1	A-72354
	■ Warning Label	1	A-125694
	Conduit Nut	1	0145X013
	Insulating Bushing	1	0145X049
B	Collar Block	1	A-186128
C	Switch Mounting Arm (8")]		A-186129-A
	Switch Mounting Arm (12")]	1	A-186129-B
	Switch Mounting Arm (18")]	Only	A-186129-C
	Switch Mounting Arm (24")]		A-186129-D
	Switch Mounting Arm (30")]		A-186129-E
D	▲ Limit Switch	1	0051X593
	Limit Switch	1	0051X724
E	Rod Assembly (10")]	1	A-151881-A
	Rod Assembly (20")]	Only	A-151881-B
F	Column Assembly (13") }		B-121883-A
	Column Assembly (17") }		B-121883-B
	Column Assembly (21") }		B-121883-C
	Column Assembly (25") }		B-121883-D
	Column Assembly (29") }	1	B-121883-E
	Column Assembly (33") }	Only	B-121883-F
	Column Assembly (37") }		B-121883-G
	Column Assembly (41") }		B-121883-H
Column Assembly (45") }		B-121883-J	
Column Assembly (49") }		B-121883-K	

- ▲ Used for FS-4 Model only.
- ◇ Used for FS-4 J.I.C. Model only.

■ Do not remove or paint over safety labels. If safety labels need replaced, contact Homer City Automation for an additional supply free of charge.

Homer City Automation, Inc.
57 Cooper Avenue
Homer City, PA 15748
Phone (724)-479-4503
FAX: (724)-479-4767
Email: info@homercityautomation.com
Web: www.homercityautomation.com

CURRENT RATINGS:

Model – FS-4

10.0 Amps - 115 V / 50-60 Hz
2.5 Amps - 250 V / 50-60 Hz
1.5 Amps - 480 V / 50-60 Hz

Model – FS-4 J.I.C.

15.0 Amps - 115 V / 50-60 Hz

Homer City Automation, reserves the right to alter at any time, without notice and without liability or other obligations on its part, materials, equipment specifications and models. Homer City Automation also reserves the right to discontinue the manufacture of models, parts, and components thereof.