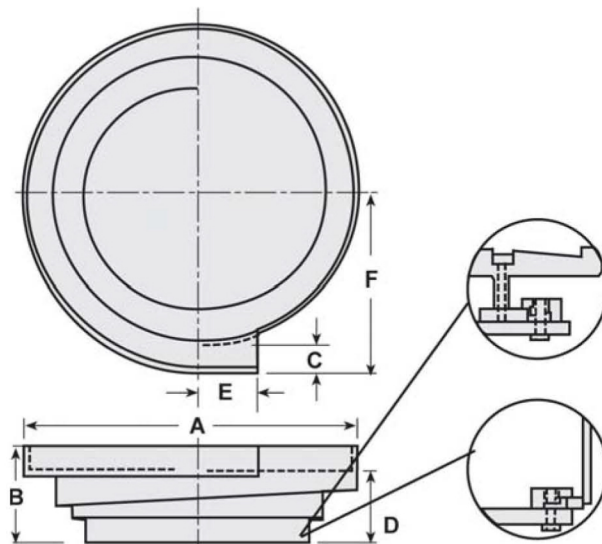


Recommended Drive and Bowl Model	Bowl Description	A Bowl Diameter Approx.	B Bowl Height	C Track Width	D Height to Discharge	E Length of Discharge	F Radial Spacing of Discharge	Approx. Bowl Weight (lb.)	Maximum Part Dimension
EB-112-A 14S12	Fab. stainless steel	14	3 7/8	3/4	2 5/8	2•	7	11	1 1/2
EB-132-A Legacy (UM-15-S) 18S12	Fab. stainless steel	18	5	3/4	3 3/4	3■	9	16	2
18S20	Fab. stainless steel	18	4 15/16	1 1/4	3 3/16	3■	9	17	2
EB-162-A Legacy (UM-15-L) 24S20	Fab. stainless steel	24	5 1/2	1 1/4	3 3/4	4■	12	43	4
24S32	Fab. stainless steel	24	5 7/8	2	3 3/8	4■	12	43	4
EB-222-A 30S20-2	Fab. stainless steel	30	8 3/4	1 1/4	7	5■	14 7/8	50	6
30S32	Fab. stainless steel	30	8 3/8	2	5 7/8	5■	15	49	6
EB-252-A 36S32	Fab. stainless steel	36	9 5/8	2	7 1/8	6■	18	68	8
36S48	Fab. stainless steel	36	9 3/4	3	6 1/4	6■	18	68	8

Adapter plate and standard clamp-type mounting for 24- through 36-inch diameter cast aluminum cascade bowls.

Standard clamp-type mounting for 24- through 36-inch diameter stainless steel cascade bowls.



- Discharges for stainless steel bowls are supplied only when specified.

Note: 14- and 18-inch diameter bowls are center mount.