

Syntron[®] Vibratory Parts Feeder Drive

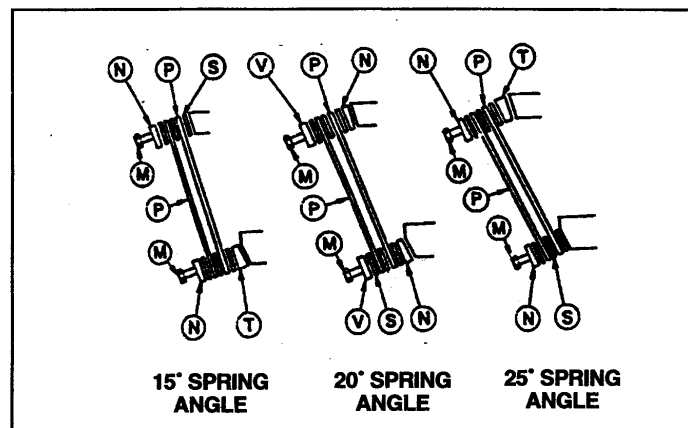
Model: EB-192-A

INSTALLATION ■ OPERATION ■ MAINTENANCE ■ ■ ■ ■ ■ ■ ■ ■

Thank you for buying your equipment from Homer City Automation, Inc. This manual will help you to understand how your equipment operates and what is required to maintain peak performance. Please read it thoroughly and keep it on file for reference. Your satisfaction is important to us, so please direct any comments to our Marketing Communications department.

■ SPRING REPLACEMENT

Throughout this manual, the letters in parentheses refer to the items in the parts list.



WARNING: Disconnect the electrical supply at the safety disconnect switch before performing any maintenance work.

NOTE: Model EB-192-A Parts Feeder Drive contains four spring stacks. Replace or rebuild only one stack at a time. This permits the remaining stacks to support the upper mass (bowl, cross-arm, and armature).

1. Proper arrangement of the spring stacks is critical to good feeder operation. Before removing a spring stack, match mark each spring stack at the top and bottom so that the original arrangement can be maintained.
2. Remove the clamp bolts (M), clamp blocks (V), wedges (N,T), spacers (S), and leaf springs (P).
IMPORTANT: When removing these items, take special note of their location in the stack arrangement. Some special units may have either more or fewer springs, spacers, and/or shims than are shown in the illustration. To avoid premature spring failure, the thickest springs are assembled first on the stack, and the thinnest last.
3. Examine each leaf spring, one at a time, for signs of fatigue or defects (breaks, hairline fractures, rust, etc.).

⚠ CAUTION: If a defect is found in one spring, carefully examine all of the spring stacks. Always replace springs with new springs of the same size and thickness.

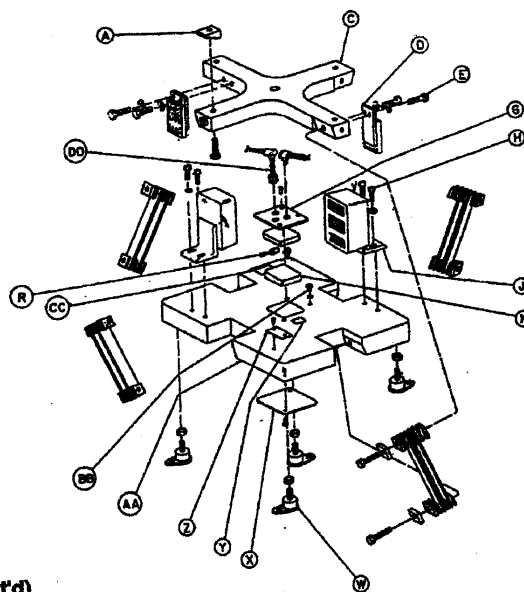
4. When reassembling a spring stack, it is important that each spring (P) be isolated by spring spacers (S) at both the top and bottom mounting locations, and that the springs are in their correct locations.
 5. With all springs, spring spacers, clamp blocks, and wedges are in position and aligned, insert and tighten the top and bottom clamp bolts (M).
- NOTE:** Never oil the spring assemblies. If the spring stacks are repainted, be sure that paint is not applied to the area between the spring clamping surfaces.
6. Evenly torque each clamp bolt (M), a little at a time, to a recommended torque of 250 ft lb Minimum (339 Nm). Used bolts may require increased torque, not to exceed 340 ft lb (461 Nm).
 7. Connect the electrical supply and readjust the air gap, if necessary, referring to the instructions in the EB-A Base Unit Service Instructions (Manual No. SM0655). Check the current draw to be sure that the ratings in the Operating Specifications Chart are not exceeded.

The unit is now ready for operation.

■ OPERATING SPECIFICATIONS

		Voltages							
		115/60	208/60	230/60	460/60	575/60	110/50	220/50	380/50
RC	Recommended Static Air Gap	0.076" (1.78 mm)				0.085" (2.16 mm)			
	Current Draw (Amps)	8.9	4.9	4.5	2.2	1.8	7.4	3.7	2.1
AC	Recommended Static Air Gap	0.038" (0.97 mm)				0.043" (1.09 mm)			
	Current Draw (Amps)	20.0	11.1	10.0	5.0	4.0	16.9	8.5	4.9

Note: Air gaps are given as a starting point and should be adjusted as required to obtain optimum performance.



cont'd

■ PARTS LIST – VIBRATORY PARTS FEEDER MODEL: EB-192-A

<u>Item</u>	<u>Description</u>	<u>Quantity</u>	<u>Part No.</u>
A	▲ <u>For 30S Bowl</u>		
	Bowl Clamp	4	A-182742
	Cap Screw, Hex Hd, Gr 8 (3/8" – 16 x 2")	4	H0308509
	Nameplate	1	A-59670
	▲ <u>For 30" Aluminum Bowl</u>		
	Bowl Clamp	4	A-182738
	Adapter Ring	1	B-182737
	Cap Screw, Hex Hd, Gr 8 (3/8" – 16 x 2")	4	H0308509
	Cap Screw, Sock Hd, Gr 8 (1/2" – 13 x 1-1/2")	4	H0424400
	▲ <u>For 18" OT Bowl</u>		
	Bowl Clamp	4	B-184013
	Cap Screw, Hex Hd, Gr 8 (3/8" – 16 x 2-3/4")	4	H0301309
	Nameplate	1	A-59670
	▲ <u>For 24" Aluminum Bowl</u>		
	Bowl Clamp	4	B-184013
	Adapter Ring	1	B-184068
	Cap Screw, Hex Hd, Gr 8 (3/8" – 16 x 2-3/4")	4	H0301309
	Cap Screw, Soc Hd, Gr 8 (1/2" – 13 x 1-1/2")	4	H0242400
	Nameplate	1	A-59670
	▲ <u>For 30" Aluminum Bowl</u>		
	Adapter Ring	1	A-221153-A
	[Includes (4) 3/8" – 16 x 2-3/4" lg bolts and (8) 1/2" – 13 x 1-1/2" lg bolts]		
	▲ <u>For 24S Bowl</u>		
	Bowl Clamp	4	A-221152-001
	Cap Screw, Hex Hd, Gr 8 (3/8" – 16 x 2-3/4")	4	H0301309
	Nameplate	1	A-59670
C	Crossarm (CW)] 1	D-215403-2
	Crossarm (CCW)] Only	D-215403-3
	■ Stroke Gauge Sticker	1	A-58462
D	Armature Assembly	2	B-215419-A
E	Cap Screw, Hex Hd, Gr 8 (1/2" – 13 x 1-1/4")	2	H0319809
	Plain Washer (1/2"), Heavy Hdn.	2	H0117312
F	Strain Relief Bushing	1	0230X018
	Power Cable Assembly	1	B-182946-C
G	Top Cable Plate	1	A-182739-A
	Self-Tapping Screw, Hex Hd (#10 – 32 x 1/2")	4	H0418413
H	Cap Screw, Hex Hd, Gr 5 (1/2" – 13 x 1")	4	H0323809
	Plain Washer (1/2") Heavy, Hardened	2	H0117312
AA	Base (CW)] 1	D-215411-2
	Base (CCW)] Only	D-215411-3
BB	Rd Hd SI Screw (#10 – 32 x 1/2") Br	1	H0203402
	Plain Washer (#10) Br	1	H0116205
CC	Torque Label	1	A-183183
DD	Strain Relief Bushing 90°	2	0230X013
	Strain Relief Bushing	1	0230X018
J	• Magnet Assembly (115V/60 Hz) }]	D-215500-K
	• Magnet Assembly (208V/60 Hz) }]	D-215500-L
	• Magnet Assembly (230V/60 Hz) }]	D-215500-M
	• Magnet Assembly (460V/60 Hz) }]	D-215500-N
	• Magnet Assembly (575V/60 Hz) } RC]	D-215500-P
	• Magnet Assembly (110V/50 Hz) }]	D-215500-Q

PARTS LIST (Cont'd)

<u>Item</u>	<u>Description</u>	<u>Quantity</u>	<u>Part No.</u>
	• Magnet Assembly (220V/50 Hz) }]		D-215500-R
	• Magnet Assembly (380V/50 Hz) }]	2	D-215500-S
	• Magnet Assembly (115V/60 Hz) }]	Only	D-215500-B
	• Magnet Assembly (208V/60 Hz) }]		D-215500-C
	• Magnet Assembly (230V/60 Hz) }]		D-215500-D
	• Magnet Assembly (460V/60 Hz) } AC]		D-215500-E
	• Magnet Assembly (575V/60 Hz) }]		D-215500-F
	• Magnet Assembly (110V/50 Hz) }]		D-215500-G
	• Magnet Assembly (220V/50 Hz) }]		D-215500-H
	• Magnet Assembly (380V/50 Hz) }]		D-215500-J
K	Insulator	2	B-184668
M	• Cap Screw, Hex Hd, Gr 8 (3/4" – 10 x 2")]		B-182949-G
	• Cap Screw, Hex Hd, Gr 8 (3/4" – 10 x 2-1/4")]		B-182949-C
	• Cap Screw, Hex Hd, Gr 8 (3/4" – 10 x 2-1/2")]		B-182949-H
	• Cap Screw, Hex Hd, Gr 8 (3/4" – 10 x 2-3/4")]		B-182949-A
	• Cap Screw, Hex Hd, Gr 8 (3/4" – 10 x 3")]		B-182949-B
	• Cap Screw, Hex Hd, Gr 8 (3/4" – 10 x 3-1/4")]		B-182949-J
N	• Wedge (5°)]	As	A-182647-E
P	• Spring (1/8" Tk.)]	Req'd	B-182548-X
	• Spring (3/16" Tk.)]		B-182548-S
	• Spring (1/4" Tk.)]		B-182548-R
	• Spring (5/16" Tk.)]		B-182548-Q
	• Spring (3/8" Tk.)]		B-182548-P
	• Spring (7/16" Tk.)]		B-182548-W
R	• Set Screw Wire Connector	2	0202X040
S	• Spacer]	As	A-182648-E
T	• Wedge (10°)]	Req'd	A-205782-3
V	• Clamp Block	8	A-182649-E
W	Isolator and Locating Foot	4	B-215478-A
	Hex Jam Nut (3/4" – 10)	4	H0104004
X	Bottom Cable Plate	1	A-182739-B
Y	■ Warning Label	1	A-125694
Z	■ Nameplate	1	B-221146

- When ordering these parts, specify the spring stack angle.
- ▲ When ordering these parts, specify the bowl type.
- Supply nameplate information.
- Do not remove or paint over safety labels. If safety labels need replaced, contact Homer City Automation, Inc. for an additional supply free of charge.



Homer City Automation, Inc.
57 Cooper Avenue
Homer City, PA 15748
Phone (724)-479-4503
FAX: (724)-479-4767
Email: info@homercityautomation.com
Web: www.homercityautomation.com

Homer City Automation, Inc. reserves the right to alter at any time, without notice and without liability or other obligations on its part, materials, equipment, specifications, and models. Homer City Automation, Inc. also reserves the right to discontinue the manufacture of models, parts, and components thereof.