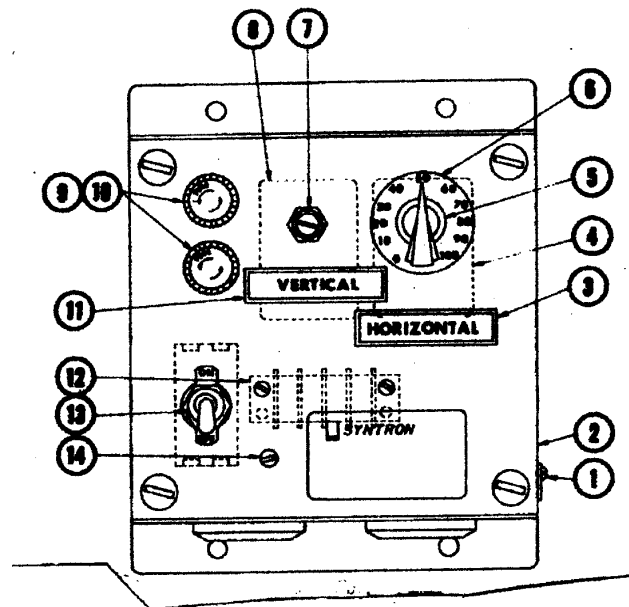


CONTROL INFORMATION AND PARTS LIST

Vibratory Parts Feeder Drive

MODEL VPF - 305

REFER TO HOMER CITY AUTOMATION GENERAL INSTRUCTION MANUAL NO. PF-620 FOR INSTALLATION, OPERATION, MAINTENANCE AND TROUBLESHOOTING OF PARTS FEEDERS.



SFC-3A CONTROL ASSEMBLY (115/230V 50/60 Cy)

<u>Item</u>	<u>Description</u>	<u>Quantity</u>	<u>Part No.</u>
1	Ground Terminal	1	A-114838
2	Control Panel Plate	1	A-120180
3	Horizontal Nameplate	1	B-107437-G2
4	Horizontal Control (115V)	1	C-179502-A
	Horizontal Control (230V)	Only	C-179502-B
5	Control Knob	1	118X010
6	Graduated Dial	1	A-87522-A
7	Vertical Adjust. (Locked)	1	-----
8	Vertical Control (115V)	1	C-179503-A
	Vertical Control (230V)	Only	C-179503-B
9	Fuse – 8A 250V (115V)	1	0174X136
	Fuse – 6A 250V (230V)	2	0174X026
10	* Fuse Holder	*	0038X257
11	Vertical Nameplate	1	B-107437-G1
12	Terminal Block	1	0173X038
13	Switch	1	0051X186
14	Internal Ground	1	-----

* 115V, 1 req'd / 230V, 2 req'd

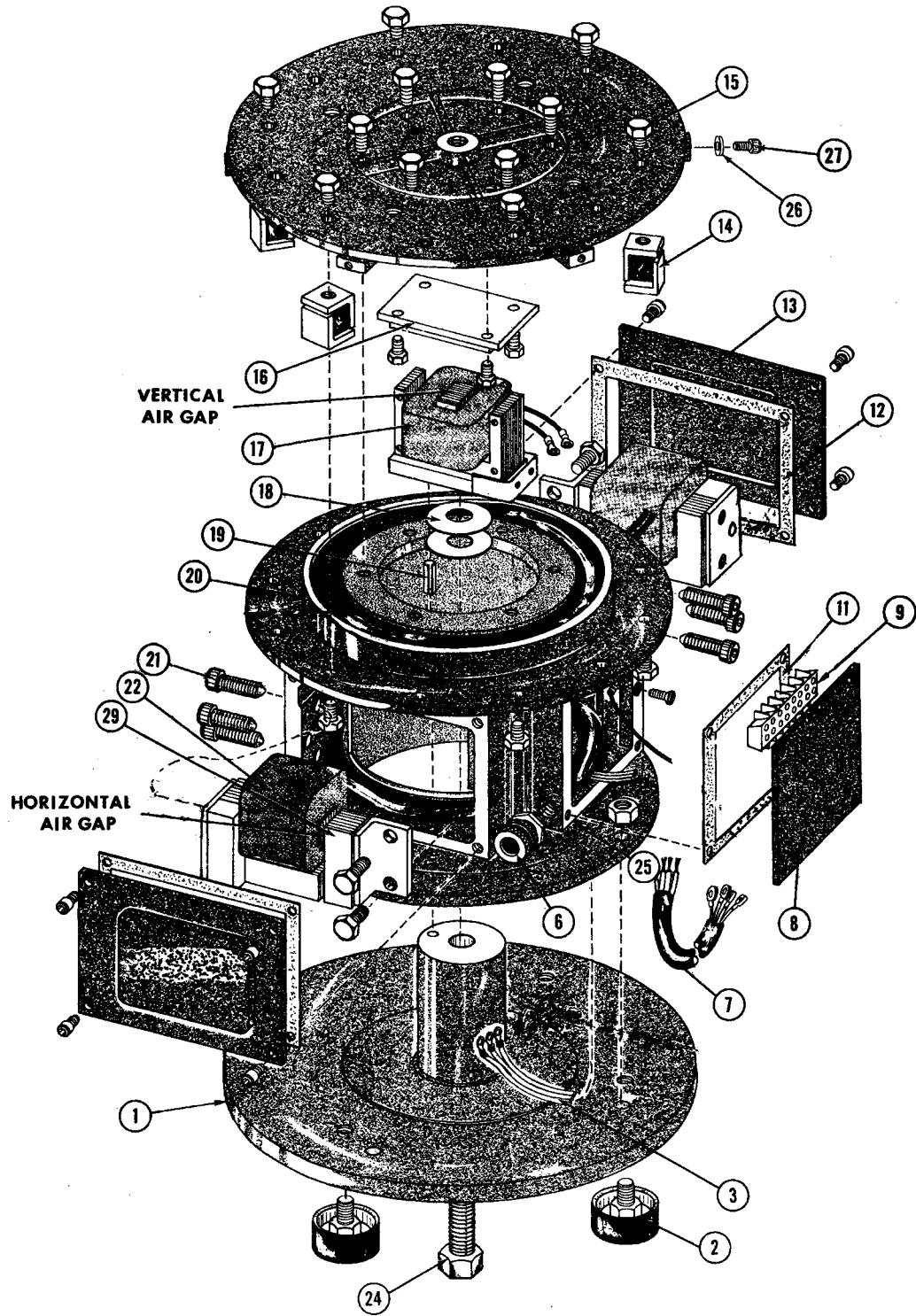
PARTS LIST – MODEL VPF-305 PARTS FEEDER

<u>Item</u>	<u>Description</u>	<u>Quantity</u>	<u>Part No.</u>
1	Base Assembly	1	B-120184
2	Rubber Foot	3	A-114606
3	Internal Cable Assembly	1	A-117316
6	Cable Grip	1	0102X002
7	External Cable Assembly	1	A-114080
8	Cover Plate	1	A-120286
9	Terminal Block	1	0173X021
11	Gasket	1	A-113987
12	Gasket	2	A-114465
13	Core Cover Plate	2	B-113289-A
14	Tuning Spring	6	B-113467-A1
	Tuning Spring Block (As req'd)		B-120181
15	Bowl Mounting Plate	1	C-121737-A
16	Vertical Armature Assembly	1	B-117317
17	Vertical Magnet Assembly (115V/60 Cy)	} Only	B-117310-A
	Vertical Magnet Assembly (230V/60 Cy)		B-117310-B
	Vertical Magnet Assembly (115V/50 Cy)		B-117310-C
	Vertical Magnet Assembly (230V/50 Cy)		B-117310-D
18	Disc Spring	2	0013X115
19	Roll Pin	1	0153X024
20	Body Assembly (60 Cy)	} Only	B-117312-A
	Body Assembly (50 Cy)		B-117312-B
21	Cap Screw, Soc Hd (3/8"-16 x 1-1/2")	6	H0404800
22	Horizontal Magnet Assembly (115V/60 Cy)	} 1 Only	B-113468-A
	Horizontal Magnet Assembly (230V/60 Cy)		B-113468-B
	Horizontal Magnet Assembly (115V/50 Cy)		B-113468-C
	Horizontal Magnet Assembly (115V/50 Cy)		B-113468-D
24	Cap Screw, Hex Hd (5/8" – 18 x 4-1/2")	1	H0321101
25	Nameplate	1	A-48808
26	Bowl Clamping Block	6	A-117403
27	Cap Screw, Soc Hd (5/16" – 18 x 3/4")	6	H0418901
29	Horizontal Armature Assembly	2	A-113471

WHEN ORDERING PARTS, PLEASE SPECIFY COMPLETE NAMEPLATE DATA!

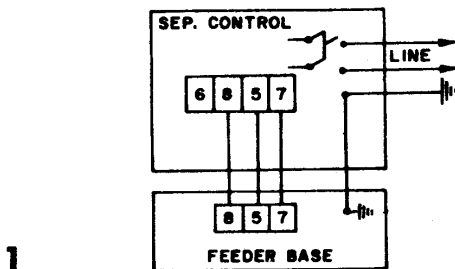
MAXIMUM CURRENT RATINGS – VPF-305 PARTS FEEDER

7.0 Amperes at 115V/60 Cy Power Supply
 3.5 Amperes at 230V/60 Cy Power Supply
 6.0 Amperes at 115V/50 Cy Power Supply
 3.0 Amperes at 230V/50 Cy Power Supply



Homer City Automation, Inc.
 57 Cooper Avenue
 Homer City, PA 15748
 Phone: (724)-479-4503
 Fax: (724)-479-4767
 Email: info@homercityautomation.com
 Web: www.homercityautomation.com

WIRING PROCEDURE

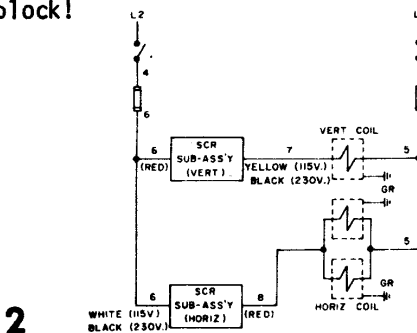


1

Figure #1 illustrates the wiring connections for a standard separate controller. A 3-conductor line cable is wired directly to the line switch and ground terminal while a 4-conductor load cable is wired between the feeder and controller.

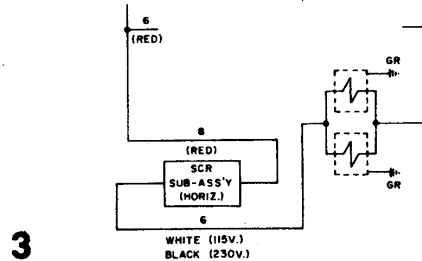
CHANGING THE DIRECTION OF FEED:

To reverse the direction of feed, reverse the leads #6 and #8 on the terminal block. The control leads are to be reversed - not the leads on the magnet side of the terminal block!



2

Figure #3 illustrates the standard wiring schematic for the clockwise direction of feed.



3

Figure #4 illustrates a partial schematic diagram of the same circuit with the #6 and the #8 leads reversed for counter-clockwise feed.

Homer City Automation reserves the right to alter at any time, without notice and without liability or other obligations on its part, materials, equipment specifications, and models. Homer City Automation also reserves the right to discontinue the manufacture of models, parts, and components thereof.