



Syntron® Model VPF Parts Feeder For Ultra-High Feed Rates

The Model VPF Parts Feeder emerged as a result of environments requiring high feed rates and a quick response time. Applications involving unit counting and packaging are particularly well-suited to the VPF.

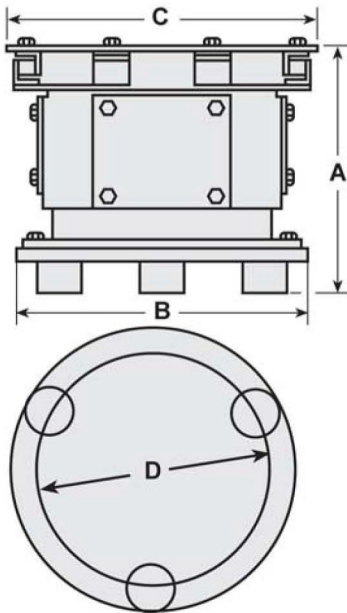
Adjustable Amplitudes

The design of the VPF allows for adjusting the vertical and horizontal bowl strokes independent of each other, resulting in ultra-smooth feeding and optimum feed rates.

The drive is also very versatile in that it can operate bowls having either clockwise or counterclockwise rotation. Simply reversing two wires in the control causes the unit to feed in the opposite direction.



Syntron® Model VPF Parts Feeder



Model	A	B	C	D	Approx. Input Amperes		Net Weight		Rubber Feet
					115/60	230/60	Base Unit	Controller	
VPF-351	12 1/2	13 5/8	15	11	7.5	3.75	155 lb	4 lb	2 dia. x 1 1/8 - 3 req'd